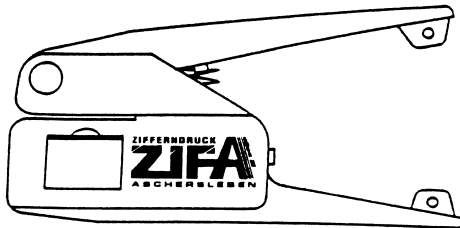


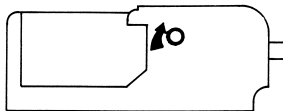
spare parts

ZIFA Ticket Stamper

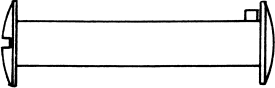
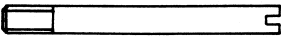
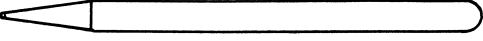


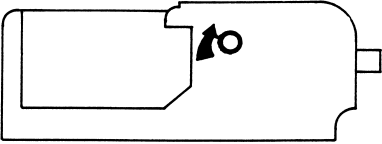
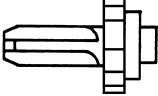
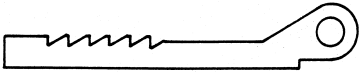
- click-stop setting -

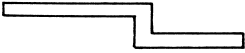
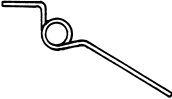
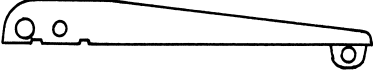
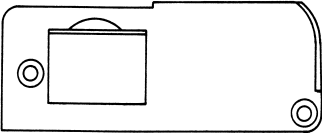


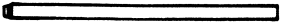


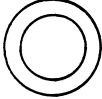
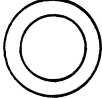


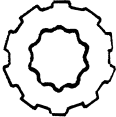
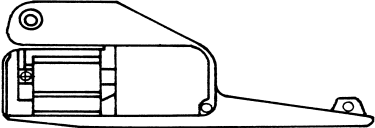

with self-inking ribbon cartridge



ZIFA Zifferndruck GmbH • Siemensstraße 6 • D-06449 Aschersleben

	axle screw	part n.: 000 / 1
	shank screw	000 / 6
	setting pin	000 / 11
	type (in between)	000 / 14
	type (in front)	000 / 12
	self inking ribbon cartridge type N XX=colour code Violet: -VL Red: -RT Black: -SW	108-XX
	propulsion unit	100 / 3+4
	transport bar	100 / 5

	mounting	part n.: 100 / 6
	torsion spring (arm)	100 / 7
	arm	101 / 1.1
	cover	102 / 1.1
	flap	102 / 2
	torsion spring (flap)	102 / 3
	axle	102 / 5
without illustration: <ul style="list-style-type: none">• wrist loop• compression spring 9x30 (goes under the arm)• axle with wheels (to be specified)		800 101 / 2

 1,5 width	spacer disc	part n.: 203 / 4.1
 0,2 width	washer	203 / 5.1
	axle (complete)	203 / 6.1
	print unit	205 / 1.1
	printing wheel	203 / 2
	body	200 / 1.2
	type (separator / dot)	203 / 3