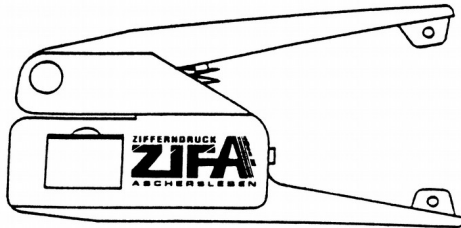


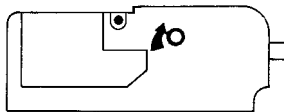
spare parts

ZIFA Ticket Stamper

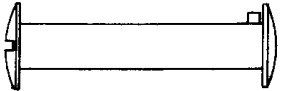

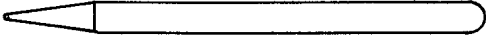

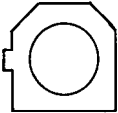
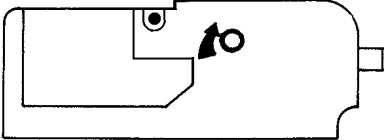
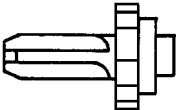
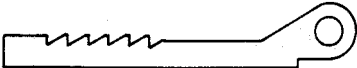
- perforation (B) -
(only for Ticket Stampers with perforation beside the print)

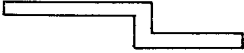

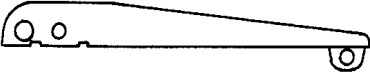
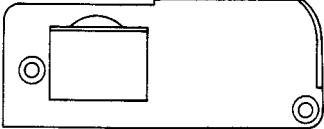



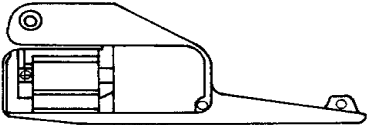


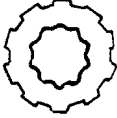
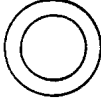

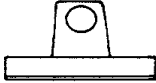
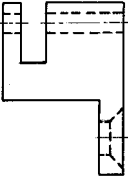


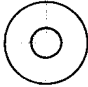
with self-inking ribbon cartridge



ZIFA Zifferndruck GmbH • Siemensstraße 6 • D-06449 Aschersleben

	axle screw	part n.: 000 / 1
	shank screw	000 / 6
	setting pin	000 / 11
	type (in front)	000 / 12
	type (in between)	000 / 14
	self inking ribbon cartridge type P XX=colour code Violet: -VL Red: -RT Black: -SW	308-XX
	propulsion unit	100 / 3+4
	transport bar	100 / 5

	mounting	part n.: 100 / 6
	torsion spring (arm)	100 / 7
	arm P	301 / 1.1
	cover P	302 / 1.1
	flap	302 / 2
	torsion spring (flap)	302 / 3
	axle	302 / 5
	body P	300 / 1.2

			printing wheel	part n.: 203 / 2
			washer 0,2 width	203 / 5.1
			axle complete type P (w/o wheels)	303 / 6.1
			print unit	205 / 1.1
- Perforation - 	slitter body	300 / 1	 puncher	300 / 2
	punch retainer	300 / 3		roller 300 / 4
without illustration: • wrist loop • compression spring 9x30 (goes under the arm) • axle with set of wheels (complete, pls. specify details) • short chain with snap hook				800 101 / 2